



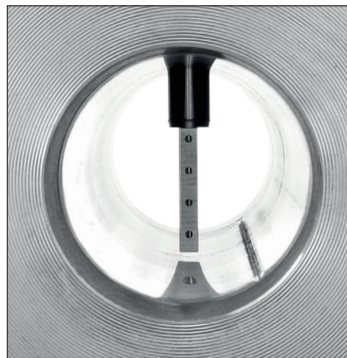
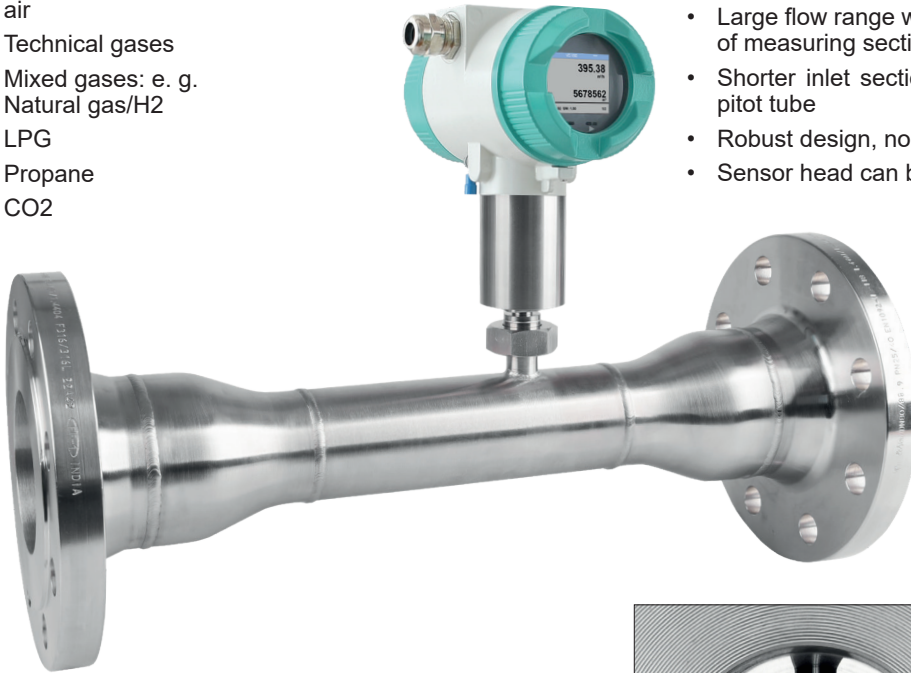
## VD 570 - Robust Inline differential pressure flow sensor for wet compressed air and gases

### FIELD OF APPLICATION:

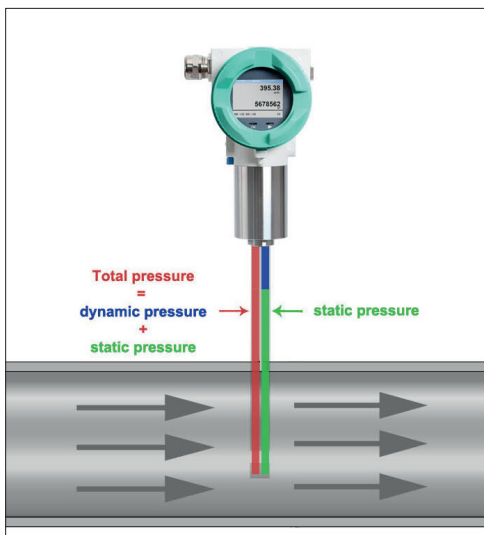
- Wet compressed air
- Technical gases
- Mixed gases: e. g. Natural gas/H<sub>2</sub>
- LPG
- Propane
- CO<sub>2</sub>

### Benefits at a glance:

- Ready-to-use compact flow meter to minimize installation effort – pressure and temperature compensation integrated
- Provides flow rate, total consumption, temperature and pressure
- Differential pressure sensor element with unique sensitivity, measures highly accurate at < 2 m/s
- Large flow range with extended turn down ratio thanks to the use of measuring sections with reduced inner diameter
- Shorter inlet sections required due to the use of an averaging pitot tube
- Robust design, no moving parts
- Sensor head can be removed for calibration purpose



Averaging pitot tube



The integrated, precise differential pressure sensor measures the differential pressure/dynamic pressure at the sensor tip. The pressure depends on the respective gas velocity. The flow is therefore easy to determine by means of the pipe diameter.

The additional measurement of temperature and absolute pressure and calculation of the relevant density means that measuring can be carried out for various gases, a wide variety of temperatures and pressures.

### TECHNICAL DATA VD 570

<b>Measuring range:</b>	2 up to 224 m/s / 600 m/s (compressed air) 0,04 up to 500 mbar differential pressure for gases
<b>Measured medium:</b>	Air and gases
<b>Accuracy:</b> (m.v.: of meas. value)	± 1.5% of m.v.
<b>Measuring principle:</b>	Differential pressure
<b>Measuring span:</b>	1:100 / 300
<b>Response time:</b>	t <sub>99</sub> : < 1 sec.
<b>Temperature of the medium:</b>	-30 °...+80 °C
<b>Operating pressure:</b>	-1...30 bar (g)
<b>Ambient temperature:</b>	-20 °...+70 °C
<b>Power supply:</b>	18...36 VDC, 5 W
<b>Protection class:</b>	IP 67
<b>Signal outputs:</b>	1x 4...20 mA analogue output (electrically not isolated), pulse output, RS 485 (Modbus-RTU) <b>Optional:</b> 2 x 4...20 mA active, Ethernet interface (PoE), M-Bus

Example order code VD 570:

0690 0570\_A1\_C1\_D1\_E1\_F2\_G1\_H1\_K1\_L1

Measuring section	
A1	DN 15
A2	DN 20
A3	DN 25
A23	DN 25 reduced DN 15 (only with Flange)
A4	DN 32
A24	DN 32 reduced DN 20 (only with Flange)
A5	DN 40
A25	DN 40 reduced DN 25 (only with Flange)
A6	DN 50
A26	DN 50 reduced DN 32 (only with Flange)
A7	DN 65 (only with Flange)
A27	DN 65 reduced DN 40 (only with Flange)
A8	DN 80 (only with Flange)
A28	DN 80 reduced DN 50 (only with Flange)
A29	DN 100 reduced DN 65 (only with Flange)

Measuring range	
B1	224 m/s (compressed air)
B2	600 m/s (compressed air)
B3	0,04 - 500 mbar differential pressure (gases)

Process connection	
C1	R male thread
C2	NPT male thread
C3	Flange DIN EN 1092-1
C4	Flange ANSI 16.5 Class 150 lbs
C5	Flange ANSI 16.5 Class 300 lbs

Display	
D1	with integrated display

Signal outputs / bus connection option	
E1	2x 4...20 mA analogue output (electrically not isolated), pulse output, RS 485 (Modbus-RTU)
E4	1x 4...20 mA analogue output (electrically not isolated), pulse output, RS 485 (Modbus-RTU)
E5	Ethernet interface (Modbus/TCP), 1 x 4...20 mA analogue output (not electrically isolated), pulse output, RS 485, (Modbus-RTU)
E8	M-Bus, 1 x 4...20 mA analogue output (not electrically isolated), pulse output, RS 485 (Modbus-RTU)
E9	Ethernet interface PoE (Power over Ethernet), (Modbus/TCP), 1 x 4...20 mA analogue output, (not electrically isolated), pulse output RS 485 (Modbus-RTU)

Calibration	
F1	No real gas adjustment - gas type configuration per gas constant
F2	Real gas adjustment in the gas type selected below

Gas type	
G1	Compressed air
G2	Nitrogen (N2)
G3	Argon (Ar)
G4	Carbon dioxide (CO2)
G5	Oxygen (O2)
G6	Nitrous oxide (N2O)
G7	Natural gas (NG)
G8	Helium (He)
G9	Propane (C3H8)
G10	Methane (CH4)
G11	Biogas (Methane 50%: CO2 50%)
G12	Hydrogen (H2)
G90	Further gas / please indicate gas type (on request)
G91	Gas mixture / please indicate mixture ratio (on request)

Reference standard	
H1	20 °C, 1000 mbar
H2	0 °C, 1013,25 mbar
H3	15 °C, 981 mbar
H4	15 °C, 1013,25 mbar

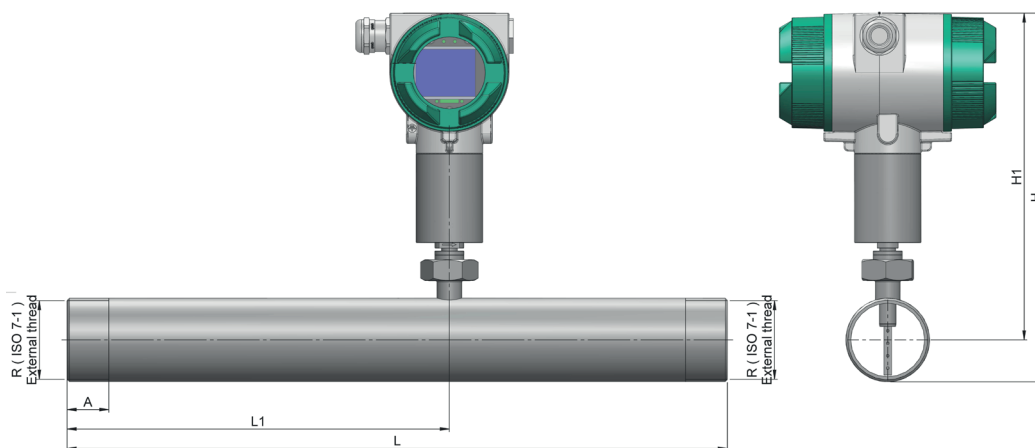
Maximum pressure	
K1	30 bar (g)
K3	2 bar (g)
K4	10 bar (g)

Surface condition	
L1	standard version
L2	Special cleaning - oil and grease free (e. g. for oxygen applications and so on)
L3	Silicone-free version including special cleaning oil- and grease-free

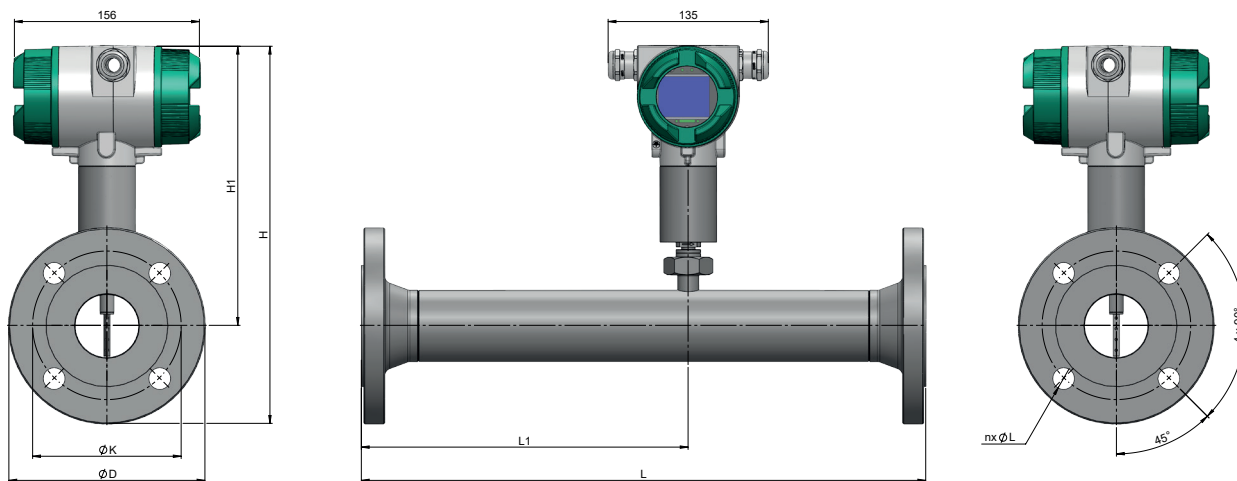
DESCRIPTION	ORDER NO.
VD 570 Inline differential pressure flow sensor	0690 0570 + Order code A_...L_
<b>Accessories:</b>	
ISO calibration certificate (5 calibration points) for VA sensors	3200 0001
Certificate of origin	Z695 5012
Closing cap for measuring section in aluminium	0190 0001
Closing cap for measuring section stainless steel 1.4404	0190 0002
Connection cable for probes 5 m with open ends	0553 0108
Connection cable for probes 10 m with open ends	0553 0109
Ethernet connection cable length 5 m, M12 plug x-coded (8 pin) to RJ 45 plug	0553 2503
Ethernet connection cable length 10 m, M12 plug x-coded (8 pin) to RJ 45 plug	0553 2504

Flow measuring ranges VD 570 for compressed air (ISO 1217:1000 mbar, 20 °C)

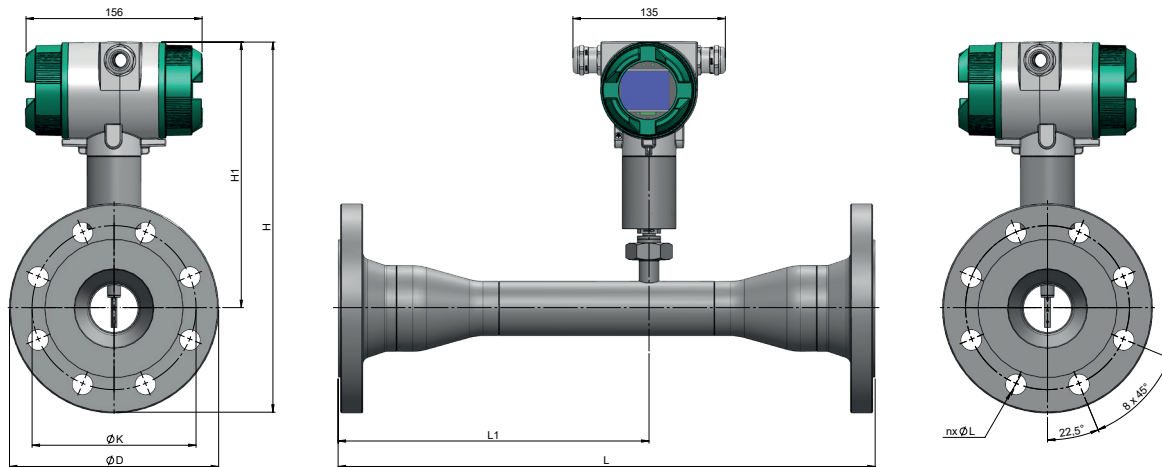
Inside diameter of pipe			VD 570 2 ... 224 m/s	
			Measuring range initial values and full scale	
Inch	mm	DN	m³/h	cfm
1/2"	16,1	DN 15	1 ... 110	0.6 ... 65
3/4"	21,7	DN 20	2 ... 215	1.2 ... 127
1"	27,3	DN 25	3,2 ... 357	1.9 ... 210
1 1/4"	36,0	DN 32	5,7 ... 644	3.4 ... 379
1 1/2"	41,9	DN 40	8 ... 886	4.7... 522
2"	53,1	DN 50	13 ... 1450	8 ... 853
2 1/2"	68,9	DN 65	23 ... 2484	13 ... 1462
3"	80,9	DN 80	31 ... 3440	18 ... 2025



VD 570- with thread								
Measuring section	AD pipe - mm	ID pipe - mm	L - mm	L1 - mm	H - mm	H1 - mm	R	A - mm
DN 15	21,3	16,1	300	210	246,2	235,5	R 1/2"	20
DN 20	26,9	21,7	475	275	249	235,5	R 3/4"	20
DN 25	33,7	27,3	475	275	252,4	235,5	R 1"	25
DN 32	42,4	36,0	475	275	256,7	235,5	R 1 1/4"	25
DN 40	48,3	41,9	475	275	259,7	235,5	R 1 1/2"	25
DN 50	60,3	53,1	475	275	265,7	235,5	R 2"	30



VD 570 - with flange (Material stainless steel: 1.4404)									
Measuring section	AD pipe - mm	ID pipe - mm	L - mm	L1 - mm	H - mm	H1 ges - mm	Ø D - mm	Ø K - mm	n x Ø L - mm
DN 15	21,3	16,1	300	210	283	235,5	95	65	4x14
DN 20	26,9	21,7	475	275	288	235,5	105	75	4x14
DN 25	33,7	27,3	475	275	293	235,5	115	85	4x14
DN 32	42,4	36,0	475	275	305,5	235,5	140	100	4x18
DN 40	48,3	41,9	475	275	310,5	235,5	150	110	4x18
DN 50	60,3	53,1	475	275	318	235,5	165	125	4x18
DN 65	76,1	68,9	475	275	328	235,5	185	145	8x18
DN 80	88,9	80,9	475	275	335,5	235,5	200	160	8x18



VD 570 - Reduced measuring section with flange (Material stainless steel: 1.4404)								Flange DIN EN 1092-1		
Measuring section	Reduction	AD pipe - mm	ID pipe - mm	L - mm	L1 - mm	H - mm	H1 - mm	Ø D - mm	Ø K - mm	n x Ø L - mm
DN 25	DN 25 - DN 15	21,3	16,1	475	275	293	235,5	115	85	4x14
DN 32	DN 32 - DN 20	26,9	21,7	475	275	305,5	235,5	140	100	4x18
DN 40	DN 40 - DN 25	33,7	27,3	475	275	310,5	235,5	150	110	4x18
DN 50	DN 50 - DN 32	42,4	36,0	475	275	318	235,5	165	125	4x18
DN 65	DN 65 - DN 40	48,3	41,9	475	275	328	235,5	185	145	8x18
DN 80	DN 80 - DN 50	60,3	53,1	475	275	335,5	235,5	200	160	8x18
DN 100	DN 100 - DN 65	76,1	68,9	475	275	363	245,5	235	190	8x22